

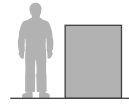
TECHNICAL SPECIFICATIONS

DEFENSIVE BARRIERS

MIL™ 1 UNIT



UNIT	HEIGHT	WIDTH	LENGTH	NSN
MIL1 (Beige)	4'6" (1.37m)	3'6" (1.06m)	32'9" (10m)	5680-99-835-7866
MIL1 (Green)	4'6" (1.37m)	3'6" (1.06m)	32'9" (10m)	5680-99-001-9396

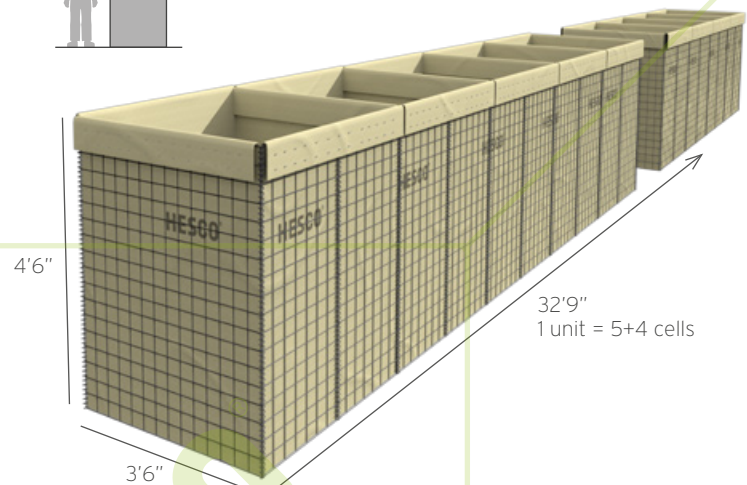


A geotextile-lined unit for general use as an earth-filled barrier. The units are suitable for filling with earth, sand, gravel, crushed rock and other granular materials. The unit fulfills a wide range of uses, including the construction of protective walls and barriers.

GENERAL SPECIFICATIONS

Geotextile-lined welded mesh barrier coated to ASTM A 856. All wires conform to BS EN 10218-2:2012. Zinc-Aluminum coatings are to BS EN 10244-2:2009, where appropriate. The geotextile is a heavy-duty, non-woven, permeable, polypropylene fabric, available in either beige or green color.

All dimensions and weights are nominal. Diagrams and product images are for illustrative purposes only.



PACKAGING AND TRANSPORT INFORMATION

FLAT-PACKED INDIVIDUAL UNIT DIMENSIONS & WEIGHTS

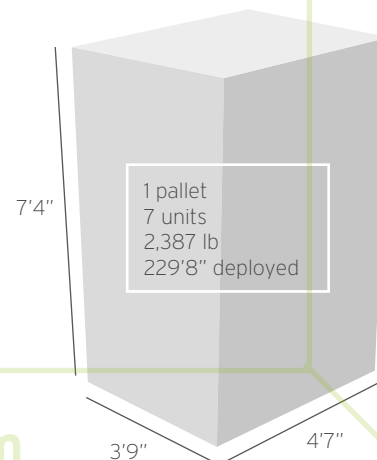
HEIGHT	WIDTH	LENGTH	WEIGHT
10" (0.25m)	3'10" (1.17m)	4'6" (1.37m)	329 lb (149kg)

PALLET INFORMATION

PER PALLET	HEIGHT	WIDTH	LENGTH	WEIGHT
7 units	7'4" (2.24m)	3'9" (1.14m)	4'7" (1.40m)	2,387 lb (1,083kg)

TRANSPORT INFORMATION

TYPE	PALLETS	UNITS	DEPLOYED LENGTH
13.5 Trailer	18	126	4,133' (1,260m)
20' Container	8	56	1,837' (560m)
40' Container	16	112	3,674' (1,120m)



hesco.com

UK and Rest of World Inquiries

Hesco Bastion Ltd,
Unit 41, Knowsthorpe Way,
Leeds LS9 0SW, United Kingdom
Telephone: +44 113 248 6633

US and Americas Inquiries

Hesco Bastion, Inc., 2821 Azalea Drive,
Charleston, SC 29405, United States
Telephone: +1 843-637-3409

Email: support@hesco.com

Disclaimer

The information contained in this document is intended solely to provide general guidance. The right is reserved to make changes to this document without notice at any time. Nothing in this document (i) constitutes an offer, representation, warranty, term or condition or (ii) is a substitute for the need to employ adequate independent technical expertise and judgment.

Patents and Trademarks

HESCO® products are subject to patents and/or patent applications in territories around the world. HESCO® is a registered trademark of Hesco Bastion Ltd and its affiliates ("Hesco") around the world. Other trademarks also apply.

For full details, please go to:
www.hesco.com/legal_notice

Quality Standards

Hesco operates a quality management system certified to ISO 9001:2008.
Approved Certificate Number: LRQ 0910654

This material is subject to copyright protection.
Copyright © 2016 Hesco.
All rights reserved.

hesco.com

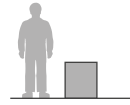
TECHNICAL SPECIFICATIONS

DEFENSIVE BARRIERS

MIL™ 2 UNIT



UNIT	HEIGHT	WIDTH	LENGTH	NSN
MIL2 (Beige)	2' (0.61m)	2' (0.61m)	4' (1.22m)	5680-99-968-1764
MIL2 (Green)	2' (0.61m)	2' (0.61m)	4' (1.22m)	5680-99-001-9397

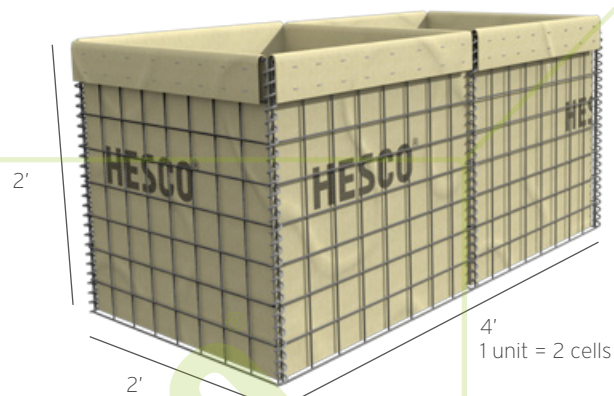


A geotextile-lined unit for general use as an earth-filled barrier. The units are suitable for filling with earth, sand, gravel, crushed rock and other granular materials. The unit fulfills a wide range of uses, including the construction of protective walls and barriers.

GENERAL SPECIFICATIONS

Geotextile-lined welded mesh barrier coated to ASTM A 856. All wires conform to BS EN 10218-2:2012. Zinc-Aluminum coatings are to BS EN 10244-2:2009, where appropriate. The geotextile is a heavy-duty, non-woven, permeable, polypropylene fabric, available in either beige or green color.

All dimensions and weights are nominal. Diagrams and product images are for illustrative purposes only.



PACKAGING AND TRANSPORT INFORMATION

FLAT-PACKED INDIVIDUAL UNIT DIMENSIONS & WEIGHTS

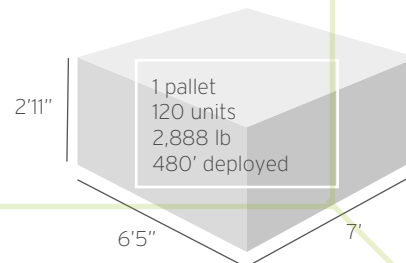
HEIGHT	WIDTH	LENGTH	WEIGHT
2" (0.05m)	2'3" (0.68m)	2' (0.61m)	221 lb (10kg)

PALLET INFORMATION

PER PALLET	HEIGHT	WIDTH	LENGTH	WEIGHT
120 units	2'11" (0.89m)	6'5" (1.96m)	7' (2.13m)	2,888 lb (1,310kg)

TRANSPORT INFORMATION

TYPE	PALLETS	UNITS	DEPLOYED LENGTH
13.5 Trailer	18	2,160	8,645' (2,635m)
20' Container	6	720	2,881' (878m)
40' Container	12	1,440	5,763' (1,756m)



hesco.com

UK and Rest of World Inquiries

Hesco Bastion Ltd,
Unit 41, Knowsthorpe Way,
Leeds LS9 0SW, United Kingdom
Telephone: +44 113 248 6633

US and Americas Inquiries

Hesco Bastion, Inc., 2821 Azalea Drive,
Charleston, SC 29405, United States
Telephone: +1 843-637-3409

Email: support@hesco.com

Disclaimer

The information contained in this document is intended solely to provide general guidance. The right is reserved to make changes to this document without notice at any time. Nothing in this document (i) constitutes an offer, representation, warranty, term or condition or (ii) is a substitute for the need to employ adequate independent technical expertise and judgment.

Patents and Trademarks

HESCO® products are subject to patents and/or patent applications in territories around the world. HESCO® is a registered trademark of Hesco Bastion Ltd and its affiliates ("Hesco") around the world. Other trademarks also apply.

For full details, please go to:
www.hesco.com/legal_notice

Quality Standards

Hesco operates a quality management system certified to ISO 9001:2008.
Approved Certificate Number: LRO 0910654

This material is subject to copyright protection.
Copyright © 2016 Hesco.
All rights reserved.

hesco.com

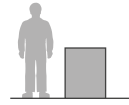
TECHNICAL SPECIFICATIONS

DEFENSIVE BARRIERS

MIL™ 3 UNIT



UNIT	HEIGHT	WIDTH	LENGTH	NSN
MIL3 (Beige)	3'3" (1.00m)	3'3" (1.00m)	32'9" (10m)	5680-99-001-9392
MIL3 (Green)	3'3" (1.00m)	3'3" (1.00m)	32'9" (10m)	5680-99-001-9398

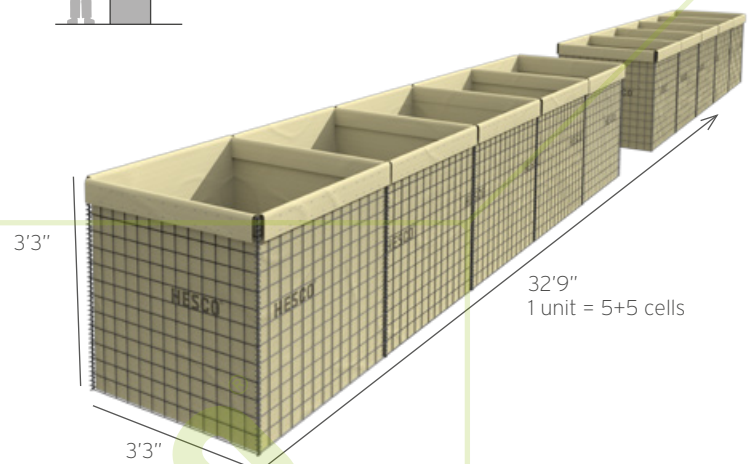


A geotextile-lined unit for general use as an earth-filled barrier. The units are suitable for filling with earth, sand, gravel, crushed rock and other granular materials. The unit fulfills a wide range of uses, including the construction of protective walls and barriers.

GENERAL SPECIFICATIONS

Geotextile-lined welded mesh barrier coated to ASTM A 856. All wires conform to BS EN 10218-2:2012. Zinc-Aluminum coatings are to BS EN 10244-2:2009, where appropriate. The geotextile is a heavy-duty, non-woven, permeable, polypropylene fabric, available in either beige or green color.

All dimensions and weights are nominal. Diagrams and product images are for illustrative purposes only.



PACKAGING AND TRANSPORT INFORMATION

FLAT-PACKED INDIVIDUAL UNIT DIMENSIONS & WEIGHTS

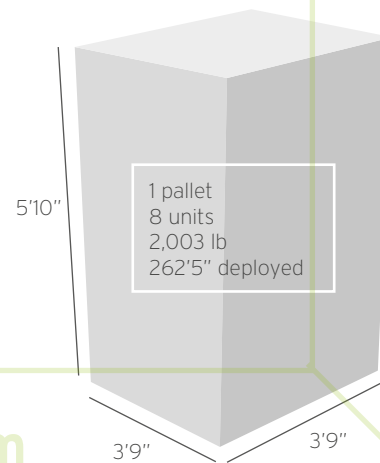
HEIGHT	WIDTH	LENGTH	WEIGHT
9" (0.23m)	3'9" (1.14m)	3'3" (1.00m)	249 lb (113kg)

PALLET INFORMATION

PER PALLET	HEIGHT	WIDTH	LENGTH	WEIGHT
8 units	5'10" (1.78m)	3'9" (1.14m)	3'9" (1.14m)	2,003 lb (931kg)

TRANSPORT INFORMATION

TYPE	PALLETS	UNITS	DEPLOYED LENGTH
13.5 Trailer	22	176	5,774' (1,760m)
20' Container	10	80	2,624' (800m)
40' Container	20	160	5,249' (1,600m)



hesco.com

UK and Rest of World Inquiries

Hesco Bastion Ltd,
Unit 41, Knowsthorpe Way,
Leeds LS9 0SW, United Kingdom
Telephone: +44 113 248 6633

US and Americas Inquiries

Hesco Bastion, Inc., 2821 Azalea Drive,
Charleston, SC 29405, United States
Telephone: +1 843-637-3409

Email: support@hesco.com

Disclaimer

The information contained in this document is intended solely to provide general guidance. The right is reserved to make changes to this document without notice at any time. Nothing in this document (i) constitutes an offer, representation, warranty, term or condition or (ii) is a substitute for the need to employ adequate independent technical expertise and judgment.

Patents and Trademarks

HESCO® products are subject to patents and/or patent applications in territories around the world. HESCO® is a registered trademark of Hesco Bastion Ltd and its affiliates ("Hesco") around the world. Other trademarks also apply.

For full details, please go to:
www.hesco.com/legal_notice

Quality Standards

Hesco operates a quality management system certified to ISO 9001:2008.
Approved Certificate Number: LRO 0910654

This material is subject to copyright protection.
Copyright © 2016 Hesco.
All rights reserved.

hesco.com

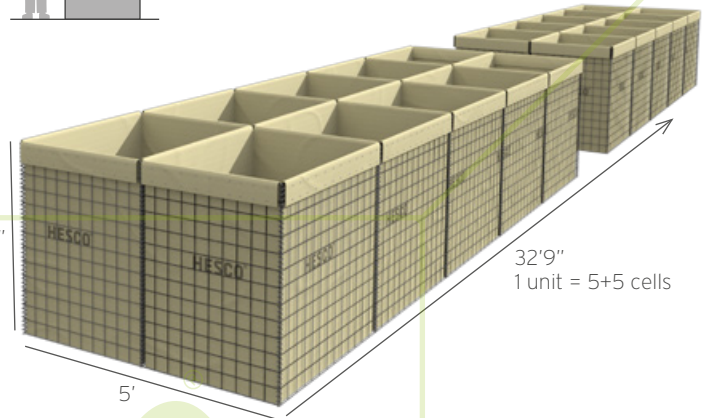
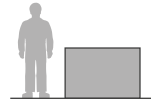
TECHNICAL SPECIFICATIONS

DEFENSIVE BARRIERS

MIL™ 4 UNIT



UNIT	HEIGHT	WIDTH	LENGTH	NSN
MIL4 (Beige)	3'3" (1.00m)	5' (1.52m)	32'9" (10m)	5680-99-001-9393
MIL4 (Green)	3'3" (1.00m)	5' (1.52m)	32'9" (10m)	5680-99-001-9399



A geotextile-lined unit for general use as an earth-filled barrier. The units are suitable for filling with earth, sand, gravel, crushed rock and other granular materials. The unit fulfills a wide range of uses, including the construction of protective walls and barriers.

GENERAL SPECIFICATIONS

Geotextile-lined welded mesh barrier coated to ASTM A 856. All wires conform to BS EN 10218-2:2012. Zinc-Aluminum coatings are to BS EN 10244-2:2009, where appropriate. The geotextile is a heavy-duty, non-woven, permeable, polypropylene fabric, available in either beige or green color.

All dimensions and weights are nominal. Diagrams and product images are for illustrative purposes only.

PACKAGING AND TRANSPORT INFORMATION

FLAT-PACKED INDIVIDUAL UNIT DIMENSIONS & WEIGHTS

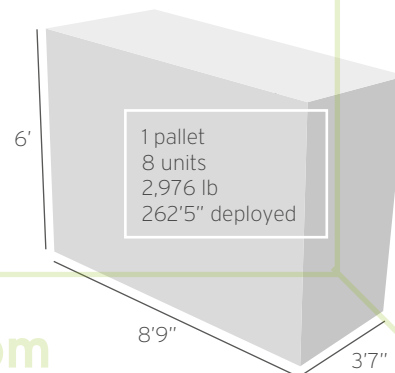
HEIGHT	WIDTH	LENGTH	WEIGHT
1'4" (0.40m)	5'3" (1.60m)	3'3" (1.00m)	341 lb (155kg)

PALLET INFORMATION

PER PALLET	HEIGHT	WIDTH	LENGTH	WEIGHT
8 units	6' (1.83m)	3'7" (1.10m)	8'9" (2.67m)	2,976 lb (1,350kg)

TRANSPORT INFORMATION

TYPE	PALLETS	UNITS	DEPLOYED LENGTH
13.5 Trailer	10	80	2,624' (800m)
20' Container	4	32	1,050' (320m)
40' Container	8	64	2,100' (640m)



hesco.com

UK and Rest of World Inquiries

Hesco Bastion Ltd,
Unit 41, Knowsthorpe Way,
Leeds LS9 0SW, United Kingdom
Telephone: +44 113 248 6633

US and Americas Inquiries

Hesco Bastion, Inc., 2821 Azalea Drive,
Charleston, SC 29405, United States
Telephone: +1 843-637-3409

Email: support@hesco.com

Disclaimer

The information contained in this document is intended solely to provide general guidance. The right is reserved to make changes to this document without notice at any time. Nothing in this document (i) constitutes an offer, representation, warranty, term or condition or (ii) is a substitute for the need to employ adequate independent technical expertise and judgment.

Patents and Trademarks

HESCO® products are subject to patents and/or patent applications in territories around the world. HESCO® is a registered trademark of Hesco Bastion Ltd and its affiliates ("Hesco") around the world. Other trademarks also apply.

For full details, please go to:
www.hesco.com/legal_notice

Quality Standards

Hesco operates a quality management system certified to ISO 9001:2008.
Approved Certificate Number: LRO 0910654

This material is subject to copyright protection.
Copyright © 2016 Hesco.
All rights reserved.

hesco.com

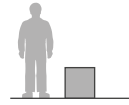
TECHNICAL SPECIFICATIONS

DEFENSIVE BARRIERS

MIL™ 5 UNIT



UNIT	HEIGHT	WIDTH	LENGTH	NSN
MIL5 (Beige)	2' (0.61m)	2' (0.61m)	10' (3.05m)	5680-99-001-9394
MIL5 (Green)	2' (0.61m)	2' (0.61m)	10' (3.05m)	5680-99-001-9400

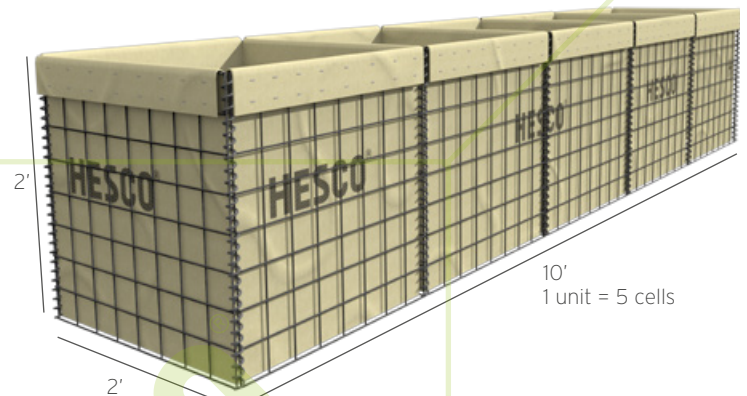


A geotextile-lined unit for general use as an earth-filled barrier. The units are suitable for filling with earth, sand, gravel, crushed rock and other granular materials. The unit fulfills a wide range of uses, including the construction of protective walls and barriers.

GENERAL SPECIFICATIONS

Geotextile-lined welded mesh barrier coated to ASTM A 856. All wires conform to BS EN 10218-2:2012. Zinc-Aluminum coatings are to BS EN 10244-2:2009, where appropriate. The geotextile is a heavy-duty, non-woven, permeable, polypropylene fabric, available in either beige or green color.

All dimensions and weights are nominal. Diagrams and product images are for illustrative purposes only.



PACKAGING AND TRANSPORT INFORMATION

FLAT-PACKED INDIVIDUAL UNIT DIMENSIONS & WEIGHTS

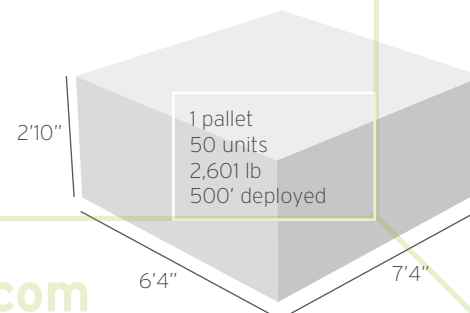
HEIGHT	WIDTH	LENGTH	WEIGHT
5" (0.13m)	2'7" (0.79m)	2' (0.61m)	48 lb (22kg)

PALLET INFORMATION

PER PALLET	HEIGHT	WIDTH	LENGTH	WEIGHT
50 units	2'10" (0.87m)	6'4" (1.93m)	7'4" (2.24m)	2,601 lb (1,180kg)

TRANSPORT INFORMATION

TYPE	PALLETS	UNITS	DEPLOYED LENGTH
13.5 Trailer	18	900	9,006' (2,745m)
20' Container	6	300	3,000' (915m)
40' Container	12	600	6,003' (1,803m)



hesco.com

UK and Rest of World Inquiries

Hesco Bastion Ltd,
Unit 41, Knowsthorpe Way,
Leeds LS9 0SW, United Kingdom
Telephone: +44 113 248 6633

US and Americas Inquiries

Hesco Bastion, Inc., 2821 Azalea Drive,
Charleston, SC 29405, United States
Telephone: +1 843-637-3409

Email: support@hesco.com

Disclaimer

The information contained in this document is intended solely to provide general guidance. The right is reserved to make changes to this document without notice at any time. Nothing in this document (i) constitutes an offer, representation, warranty, term or condition or (ii) is a substitute for the need to employ adequate independent technical expertise and judgment.

Patents and Trademarks

HESCO® products are subject to patents and/or patent applications in territories around the world. HESCO® is a registered trademark of Hesco Bastion Ltd and its affiliates ("Hesco") around the world. Other trademarks also apply.

For full details, please go to:
www.hesco.com/legal_notice

Quality Standards

Hesco operates a quality management system certified to ISO 9001:2008.
Approved Certificate Number: LRO 0910654

This material is subject to copyright protection.
Copyright © 2016 Hesco.
All rights reserved.

hesco.com

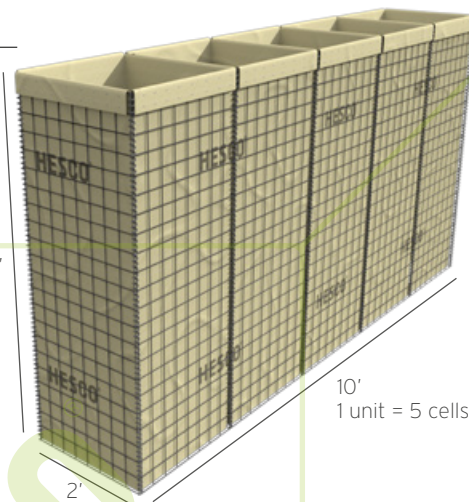
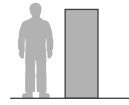
TECHNICAL SPECIFICATIONS

DEFENSIVE BARRIERS

MIL™ 6 UNIT



UNIT	HEIGHT	WIDTH	LENGTH	NSN
MIL6 (Beige)	5'6" (1.68m)	2' (0.61m)	10' (3.05m)	5680-99-0019395
MIL6 (Green)	5'6" (1.68m)	2' (0.61m)	10' (3.05m)	5680-99-001-9401



A geotextile-lined unit for general use as an earth-filled barrier. The units are suitable for filling with earth, sand, gravel, crushed rock and other granular materials. The unit fulfills a wide range of uses, including the construction of protective walls and barriers.

GENERAL SPECIFICATIONS

Geotextile-lined welded mesh barrier coated to ASTM A 856. All wires conform to BS EN 10218-2:2012. Zinc-Aluminum coatings are to BS EN 10244-2:2009, where appropriate. The geotextile is a heavy-duty, non-woven, permeable, polypropylene fabric, available in either beige or green color.

All dimensions and weights are nominal. Diagrams and product images are for illustrative purposes only.

PACKAGING AND TRANSPORT INFORMATION

FLAT-PACKED INDIVIDUAL UNIT DIMENSIONS & WEIGHTS

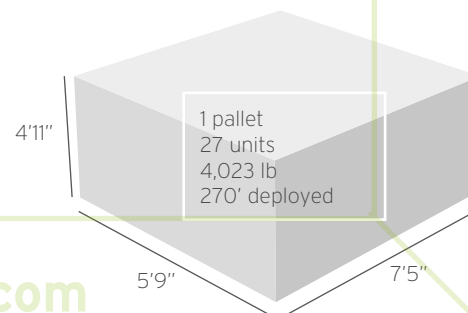
HEIGHT	WIDTH	LENGTH	WEIGHT
9" (0.25m)	2' (0.61m)	5'6" (1.68m)	146 lb (66kg)

PALLET INFORMATION

PER PALLET	HEIGHT	WIDTH	LENGTH	WEIGHT
27 units	4'11" (1.25m)	5'9" (1.75m)	7'5" (2.25m)	4,023 lb (1,875kg)

TRANSPORT INFORMATION

TYPE	PALLETS	UNITS	DEPLOYED LENGTH
13.5 Trailer	18	486	4,863' (1,482m)
20' Container	6	162	1,621' (494m)
40' Container	12	324	3,242' (988m)



hesco.com

UK and Rest of World Inquiries

Hesco Bastion Ltd,
Unit 41, Knowsthorpe Way,
Leeds LS9 0SW, United Kingdom
Telephone: +44 113 248 6633

US and Americas Inquiries

Hesco Bastion, Inc., 2821 Azalea Drive,
Charleston, SC 29405, United States
Telephone: +1 843-637-3409

Email: support@hesco.com

Disclaimer

The information contained in this document is intended solely to provide general guidance. The right is reserved to make changes to this document without notice at any time. Nothing in this document (i) constitutes an offer, representation, warranty, term or condition or (ii) is a substitute for the need to employ adequate independent technical expertise and judgment.

Patents and Trademarks

HESCO® products are subject to patents and/or patent applications in territories around the world. HESCO® is a registered trademark of Hesco Bastion Ltd and its affiliates ("Hesco") around the world. Other trademarks also apply.

For full details, please go to:
www.hesco.com/legal_notice

Quality Standards

Hesco operates a quality management system certified to ISO 9001:2008.
Approved Certificate Number: LRO 0910654

This material is subject to copyright protection.
Copyright © 2016 Hesco.
All rights reserved.

hesco.com

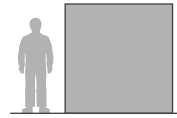
TECHNICAL SPECIFICATIONS

DEFENSIVE BARRIERS

MIL™ 7 UNIT



UNIT	HEIGHT	WIDTH	LENGTH	NSN
MIL7 (Beige)	7'3" (2.21m)	7' (2.13m)	91" (27.74m)	5680-99-169-0183
MIL7 (Green)	7'3" (2.21m)	7' (2.13m)	91" (27.74m)	5680-99-126-3716

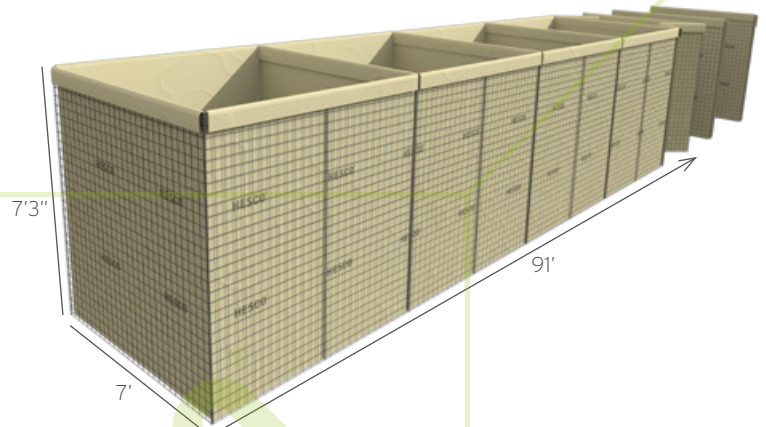


A geotextile-lined unit for general use as an earth-filled barrier. The units are suitable for filling with earth, sand, gravel, crushed rock and other granular materials. The unit fulfills a wide range of uses, including the construction of protective walls and barriers.

GENERAL SPECIFICATIONS

Geotextile-lined welded mesh barrier coated to ASTM A 856. All wires conform to BS EN 10218-2:2012. Zinc-Aluminum coatings are to BS EN 10244-2:2009, where appropriate. The geotextile is a heavy-duty, non-woven, permeable, polypropylene fabric, available in either beige or green color.

All dimensions and weights are nominal. Diagrams and product images are for illustrative purposes only.



PACKAGING AND TRANSPORT INFORMATION

FLAT-PACKED INDIVIDUAL UNIT DIMENSIONS & WEIGHTS

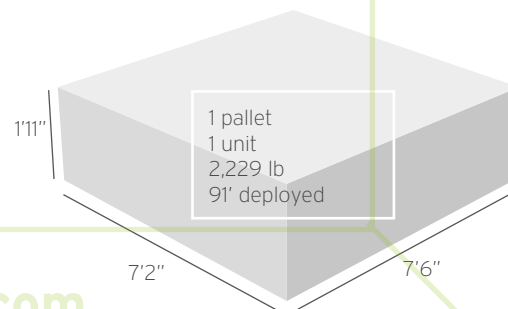
HEIGHT	WIDTH	LENGTH	WEIGHT
1'7" (0.48m)	7'4" (2.24m)	7'3" (2.21m)	2,063 lb (936kg)

PALLET INFORMATION

PER PALLET	HEIGHT	WIDTH	LENGTH	WEIGHT
1 units	1'11" (0.58m)	7'2" (2.20m)	7'6" (2.30m)	2,229 lb (1,011kg)

TRANSPORT INFORMATION

TYPE	PALLETS	UNITS	DEPLOYED LENGTH
13.5 Trailer	20	20	1,820' (555m)
20' Container	6	6	546' (166m)
40' Container	15	15	1,365' (416m)



UK and Rest of World Inquiries

Hesco Bastion Ltd,
Unit 41, Knowsthorpe Way,
Leeds LS9 0SW, United Kingdom
Telephone: +44 113 248 6633

US and Americas Inquiries

Hesco Bastion, Inc., 2821 Azalea Drive,
Charleston, SC 29405, United States
Telephone: +1 843-637-3409

Email: support@hesco.com

Disclaimer

The information contained in this document is intended solely to provide general guidance. The right is reserved to make changes to this document without notice at any time. Nothing in this document (i) constitutes an offer, representation, warranty, term or condition or (ii) is a substitute for the need to employ adequate independent technical expertise and judgment.

Patents and Trademarks

HESCO® products are subject to patents and/or patent applications in territories around the world. HESCO® is a registered trademark of Hesco Bastion Ltd and its affiliates ("Hesco") around the world. Other trademarks also apply.

For full details, please go to: www.hesco.com/legal_notice

Quality Standards

Hesco operates a quality management system certified to ISO 9001:2008.
Approved Certificate Number: LRO 0910654

This material is subject to copyright protection.
Copyright © 2016 Hesco.
All rights reserved.

hesco.com

hesco.com

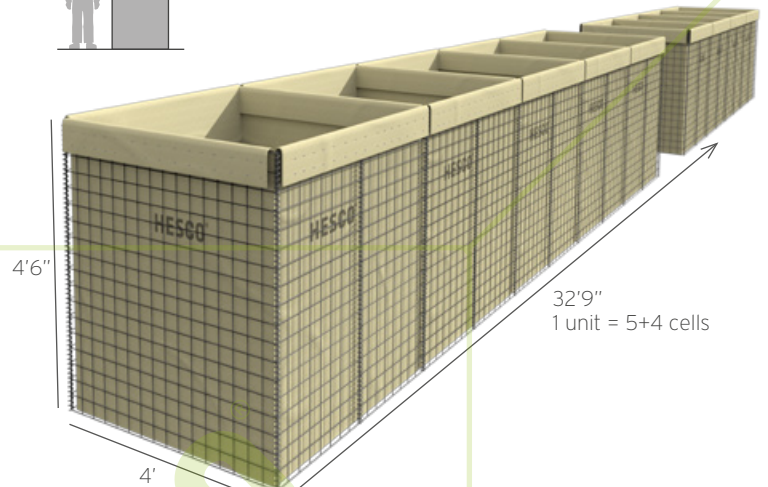
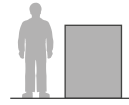
TECHNICAL SPECIFICATIONS

DEFENSIVE BARRIERS

MIL™ 8 UNIT



UNIT	HEIGHT	WIDTH	LENGTH	NSN
MIL8 (Beige)	4'6" (1.37m)	4' (1.22m)	32'9" (10m)	5680-99-335-4902
MIL1 (Green)	4'6" (1.37m)	4' (1.22m)	32'9" (10m)	5680-99-517-3281



A geotextile-lined unit for general use as an earth-filled barrier. The units are suitable for filling with earth, sand, gravel, crushed rock and other granular materials. The unit fulfills a wide range of uses, including the construction of protective walls and barriers.

GENERAL SPECIFICATIONS

Geotextile-lined welded mesh barrier coated to ASTM A 856. All wires conform to BS EN 10218-2:2012. Zinc-Aluminum coatings are to BS EN 10244-2:2009, where appropriate. The geotextile is a heavy-duty, non-woven, permeable, polypropylene fabric, available in either beige or green color.

All dimensions and weights are nominal. Diagrams and product images are for illustrative purposes only.

PACKAGING AND TRANSPORT INFORMATION

FLAT-PACKED INDIVIDUAL UNIT DIMENSIONS & WEIGHTS

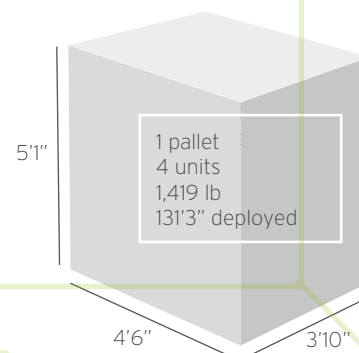
HEIGHT	WIDTH	LENGTH	WEIGHT
11" (0.28m)	4'3" (1.29m)	4'6" (1.37m)	337 lb (153kg)

PALLET INFORMATION

PER PALLET	HEIGHT	WIDTH	LENGTH	WEIGHT
4 units	5'1" (1.55m)	3'10" (1.17m)	4'6" (1.37m)	1,419 lb (644kg)

TRANSPORT INFORMATION

TYPE	PALLETS	UNITS	DEPLOYED LENGTH
13.5 Trailer	18	72	2,362' (720m)
20' Container	8	32	1,050' (320m)
40' Container	18	72	2,362' (720m)



hesco.com

UK and Rest of World Inquiries

Hesco Bastion Ltd,
Unit 41, Knowsthorpe Way,
Leeds LS9 0SW, United Kingdom
Telephone: +44 113 248 6633

US and Americas Inquiries

Hesco Bastion, Inc., 2821 Azalea Drive,
Charleston, SC 29405, United States
Telephone: +1 843-637-3409

Email: support@hesco.com

Disclaimer

The information contained in this document is intended solely to provide general guidance. The right is reserved to make changes to this document without notice at any time. Nothing in this document (i) constitutes an offer, representation, warranty, term or condition or (ii) is a substitute for the need to employ adequate independent technical expertise and judgment.

Patents and Trademarks

HESCO® products are subject to patents and/or patent applications in territories around the world. HESCO® is a registered trademark of Hesco Bastion Ltd and its affiliates ("Hesco") around the world. Other trademarks also apply.

For full details, please go to:
www.hesco.com/legal_notice

Quality Standards

Hesco operates a quality management system certified to ISO 9001:2008.
Approved Certificate Number: LRO 0910654

This material is subject to copyright protection.
Copyright © 2016 Hesco.
All rights reserved.

hesco.com

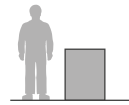
TECHNICAL SPECIFICATIONS

DEFENSIVE BARRIERS

MIL™ 9 UNIT



UNIT	HEIGHT	WIDTH	LENGTH	NSN
MIL9 (Beige)	3'3" (1.00m)	2'6" (0.76m)	30' (9.14m)	5680-99-563-5949
MIL9 (Green)	3'3" (1.00m)	2'6" (0.76m)	30' (9.14m)	5680-99-052-0506

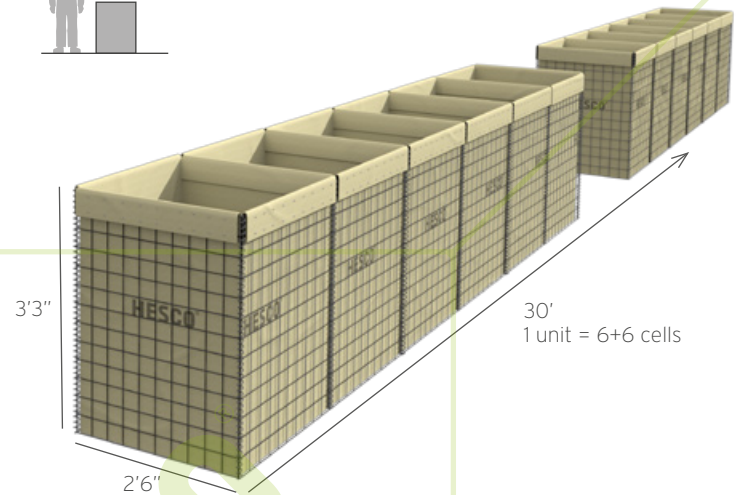


A geotextile-lined unit for general use as an earth-filled barrier. The units are suitable for filling with earth, sand, gravel, crushed rock and other granular materials. The unit fulfills a wide range of uses, including the construction of protective walls and barriers.

GENERAL SPECIFICATIONS

Geotextile-lined welded mesh barrier coated to ASTM A 856. All wires conform to BS EN 10218-2:2012. Zinc-Aluminum coatings are to BS EN 10244-2:2009, where appropriate. The geotextile is a heavy-duty, non-woven, permeable, polypropylene fabric, available in either beige or green color.

All dimensions and weights are nominal. Diagrams and product images are for illustrative purposes only.



PACKAGING AND TRANSPORT INFORMATION

FLAT-PACKED INDIVIDUAL UNIT DIMENSIONS & WEIGHTS

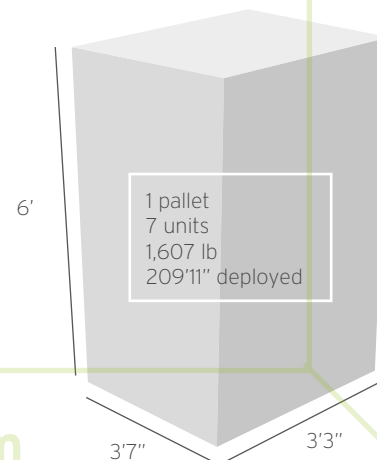
HEIGHT	WIDTH	LENGTH	WEIGHT
1'1" (0.33m)	3' (0.91m)	3'3" (1.00m)	222 lb (101kg)

PALLET INFORMATION

PER PALLET	HEIGHT	WIDTH	LENGTH	WEIGHT
7 units	6' (1.83m)	3'7" (1.09m)	3'3" (1.00m)	1,607 lb (729kg)

TRANSPORT INFORMATION

TYPE	PALLETS	UNITS	DEPLOYED LENGTH
13.5 Trailer	24	168	5,037' (1,535m)
20' Container	10	70	2,100' (640m)
40' Container	20	140	4,198' (1,280m)



UK and Rest of World Inquiries

Hesco Bastion Ltd,
Unit 41, Knowsthorpe Way,
Leeds LS9 0SW, United Kingdom
Telephone: +44 113 248 6633

US and Americas Inquiries

Hesco Bastion, Inc., 2821 Azalea Drive,
Charleston, SC 29405, United States
Telephone: +1 843-637-3409

Email: support@hesco.com

Disclaimer

The information contained in this document is intended solely to provide general guidance. The right is reserved to make changes to this document without notice at any time. Nothing in this document (i) constitutes an offer, representation, warranty, term or condition or (ii) is a substitute for the need to employ adequate independent technical expertise and judgment.

Patents and Trademarks

HESCO® products are subject to patents and/or patent applications in territories around the world. HESCO® is a registered trademark of Hesco Bastion Ltd and its affiliates ("Hesco") around the world. Other trademarks also apply.

For full details, please go to:
www.hesco.com/legal_notice

Quality Standards

Hesco operates a quality management system certified to ISO 9001:2008.
Approved Certificate Number: LRQ 0910654

This material is subject to copyright protection.
Copyright © 2016 Hesco.
All rights reserved.

hesco.com

hesco.com

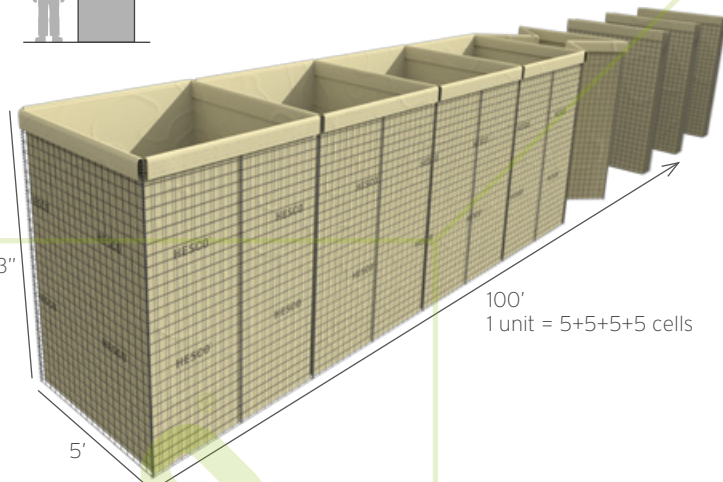
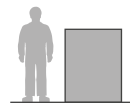
TECHNICAL SPECIFICATIONS

DEFENSIVE BARRIERS

MIL™ 10 UNIT



UNIT	HEIGHT	WIDTH	LENGTH	NSN
MIL10 (Beige)	7'3" (2.21m)	5' (1.52m)	100' (30.5m)	5680-99-391-0852
MIL10 (Green)	7'3" (2.21m)	5' (1.52m)	100' (30.5m)	5680-99-770-0326



A geotextile-lined unit for general use as an earth-filled barrier. The units are suitable for filling with earth, sand, gravel, crushed rock and other granular materials. The unit fulfills a wide range of uses, including the construction of protective walls and barriers.

GENERAL SPECIFICATIONS

Geotextile-lined welded mesh barrier coated to ASTM A 856. All wires conform to BS EN 10218-2:2012. Zinc-Aluminum coatings are to BS EN 10244-2:2009, where appropriate. The geotextile is a heavy-duty, non-woven, permeable, polypropylene fabric, available in either beige or green color.

All dimensions and weights are nominal. Diagrams and product images are for illustrative purposes only.

PACKAGING AND TRANSPORT INFORMATION

FLAT-PACKED INDIVIDUAL UNIT DIMENSIONS & WEIGHTS

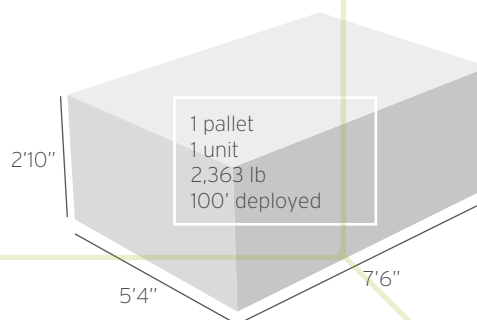
HEIGHT	WIDTH	LENGTH	WEIGHT
2'4" (0.71m)	5'5" (1.65m)	7'4" (2.24m)	2,288 lb (1,040kg)

PALLET INFORMATION

PER PALLET	HEIGHT	WIDTH	LENGTH	WEIGHT
1 units	2'04" (0.87m)	5'4" (1.62m)	7'6" (2.30m)	2,363 lb (1,074kg)

TRANSPORT INFORMATION

TYPE	PALLETS	UNITS	DEPLOYED LENGTH
13.5 Trailer	20	20	2,000' (610m)
20' Container	6	6	600' (183m)
40' Container	14	14	1,400' (427m)



hesco.com

UK and Rest of World Inquiries

Hesco Bastion Ltd,
Unit 41, Knowsthorpe Way,
Leeds LS9 0SW, United Kingdom
Telephone: +44 113 248 6633

US and Americas Inquiries

Hesco Bastion, Inc., 2821 Azalea Drive,
Charleston, SC 29405, United States
Telephone: +1 843-637-3409

Email: support@hesco.com

Disclaimer

The information contained in this document is intended solely to provide general guidance. The right is reserved to make changes to this document without notice at any time. Nothing in this document (i) constitutes an offer, representation, warranty, term or condition or (ii) is a substitute for the need to employ adequate independent technical expertise and judgment.

Patents and Trademarks

HESCO® products are subject to patents and/or patent applications in territories around the world. HESCO® is a registered trademark of Hesco Bastion Ltd and its affiliates ("Hesco") around the world. Other trademarks also apply.

For full details, please go to:
www.hesco.com/legal_notice

Quality Standards

Hesco operates a quality management system certified to ISO 9001:2008.
Approved Certificate Number: LRO 0910654

This material is subject to copyright protection.
Copyright © 2016 Hesco.
All rights reserved.

hesco.com

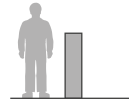
TECHNICAL SPECIFICATIONS

DEFENSIVE BARRIERS

MIL™ 11 UNIT



UNIT	HEIGHT	WIDTH	LENGTH	NSN
MIL11 (Beige)	4' (1.22m)	12" (0.30m)	4' (1.22m)	7195-99-867-9131
MIL11 (Green)	4' (1.22m)	12" (0.30m)	4' (1.22m)	7195-99-668-0875

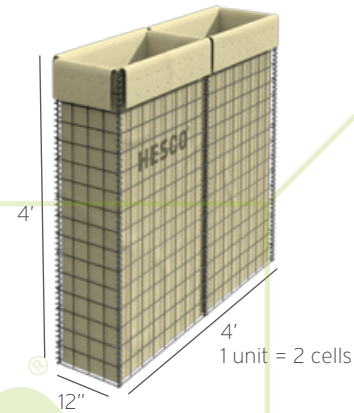


A geotextile-lined unit for general use as an earth-filled barrier. The units are suitable for filling with earth, sand, gravel, crushed rock and other granular materials. The unit fulfills a wide range of uses, including the construction of protective walls and barriers.

GENERAL SPECIFICATIONS

Geotextile-lined welded mesh barrier coated to ASTM A 856. All wires conform to BS EN 10218-2:2012. Zinc-Aluminum coatings are to BS EN 10244-2:2009, where appropriate. The geotextile is a heavy-duty, non-woven, permeable, polypropylene fabric, available in either beige or green color.

All dimensions and weights are nominal. Diagrams and product images are for illustrative purposes only.



PACKAGING AND TRANSPORT INFORMATION

FLAT-PACKED INDIVIDUAL UNIT DIMENSIONS & WEIGHTS

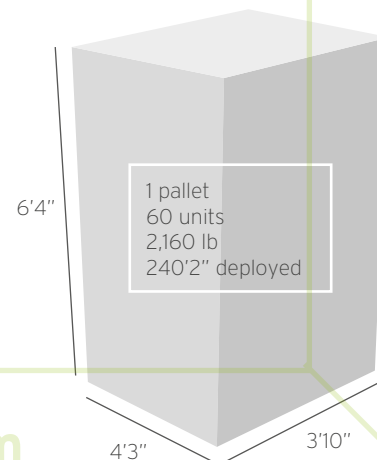
HEIGHT	WIDTH	LENGTH	WEIGHT
3" (0.08m)	2'11" (0.89m)	4' (1.22m)	35 lb (16kg)

PALLET INFORMATION

PER PALLET	HEIGHT	WIDTH	LENGTH	WEIGHT
60 units	6'4" (1.93m)	4'3" (1.30m)	3'10" (1.16m)	2,160 lb (982kg)

TRANSPORT INFORMATION

TYPE	PALLETS	UNITS	DEPLOYED LENGTH
13.5 Trailer	18	1080	4,322' (1,318m)
20' Container	8	480	1,921' (586m)
40' Container	16	960	3,842' (1,171m)



hesco.com

UK and Rest of World Inquiries

Hesco Bastion Ltd,
Unit 41, Knowsthorpe Way,
Leeds LS9 0SW, United Kingdom
Telephone: +44 113 248 6633

US and Americas Inquiries

Hesco Bastion, Inc., 2821 Azalea Drive,
Charleston, SC 29405, United States
Telephone: +1 843-637-3409

Email: support@hesco.com

Disclaimer

The information contained in this document is intended solely to provide general guidance. The right is reserved to make changes to this document without notice at any time. Nothing in this document (i) constitutes an offer, representation, warranty, term or condition or (ii) is a substitute for the need to employ adequate independent technical expertise and judgment.

Patents and Trademarks

HESCO® products are subject to patents and/or patent applications in territories around the world. HESCO® is a registered trademark of Hesco Bastion Ltd and its affiliates ("Hesco") around the world. Other trademarks also apply.

For full details, please go to:
www.hesco.com/legal_notice

Quality Standards

Hesco operates a quality management system certified to ISO 9001:2008.
Approved Certificate Number: LRO 0910654

This material is subject to copyright protection.
Copyright © 2016 Hesco.
All rights reserved.

hesco.com

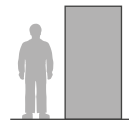
TECHNICAL SPECIFICATIONS

DEFENSIVE BARRIERS

MIL™ 12 UNIT



UNIT	HEIGHT	WIDTH	LENGTH	NSN
MIL12 (Beige)	7' (2.13m)	3'6" (1.06m)	108' (33m)	5680-99-974-8891
MIL12 (Green)	7' (2.13m)	3'6" (1.06m)	108' (33m)	5680-99-153-1977

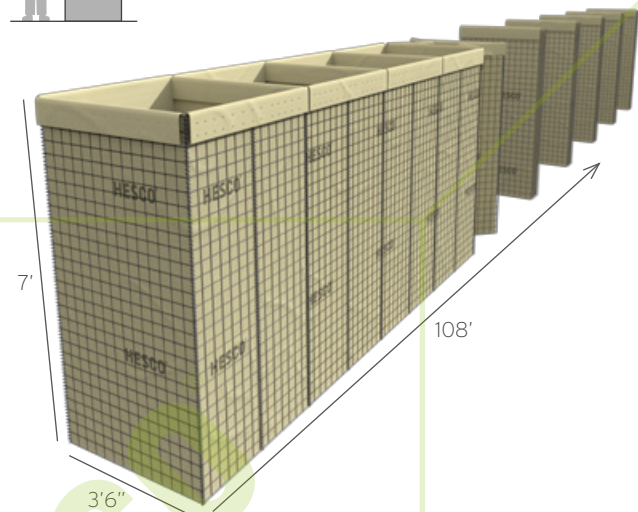


A geotextile-lined unit for general use as an earth-filled barrier. The units are suitable for filling with earth, sand, gravel, crushed rock and other granular materials. The unit fulfills a wide range of uses, including the construction of protective walls and barriers.

GENERAL SPECIFICATIONS

Geotextile-lined welded mesh barrier coated to ASTM A 856. All wires conform to BS EN 10218-2:2012. Zinc-Aluminum coatings are to BS EN 10244-2:2009, where appropriate. The geotextile is a heavy-duty, non-woven, permeable, polypropylene fabric, available in either beige or green color.

All dimensions and weights are nominal. Diagrams and product images are for illustrative purposes only.



PACKAGING AND TRANSPORT INFORMATION

FLAT-PACKED INDIVIDUAL UNIT DIMENSIONS & WEIGHTS

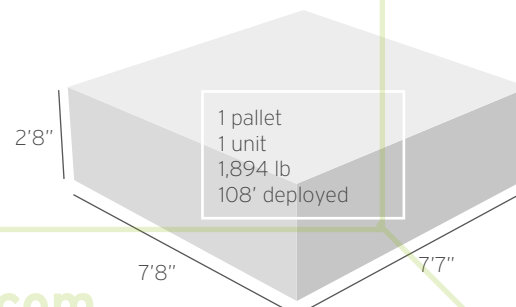
HEIGHT	WIDTH	LENGTH	WEIGHT
2'1" (0.64m)	7'8" (2.34m)	7'7" (2.32m)	1,793 lb (813kg)

PALLET INFORMATION

PER PALLET	HEIGHT	WIDTH	LENGTH	WEIGHT
1 units	2'8" (0.80m)	7'8" (2.34m)	7'7" (2.32m)	1,894 lb (859kg)

TRANSPORT INFORMATION

TYPE	PALLETS	UNITS	DEPLOYED LENGTH
13.5 Trailer	18	18	1,948' (594m)
20' Container	6	6	650' (198m)
40' Container	15	15	1,624' (495m)



UK and Rest of World Inquiries

Hesco Bastion Ltd,
Unit 41, Knowsthorpe Way,
Leeds LS9 0SW, United Kingdom
Telephone: +44 113 248 6633

US and Americas Inquiries

Hesco Bastion, Inc., 2821 Azalea Drive,
Charleston, SC 29405, United States
Telephone: +1 843-637-3409

Email: support@hesco.com

Disclaimer

The information contained in this document is intended solely to provide general guidance. The right is reserved to make changes to this document without notice at any time. Nothing in this document (i) constitutes an offer, representation, warranty, term or condition or (ii) is a substitute for the need to employ adequate independent technical expertise and judgment.

Patents and Trademarks

HESCO® products are subject to patents and/or patent applications in territories around the world. HESCO® is a registered trademark of Hesco Bastion Ltd and its affiliates ("Hesco") around the world. Other trademarks also apply.

For full details, please go to:
www.hesco.com/legal_notice

Quality Standards

Hesco operates a quality management system certified to ISO 9001:2008.
Approved Certificate Number: LRO 0910654

This material is subject to copyright protection.
Copyright © 2016 Hesco.
All rights reserved.

hesco.com

hesco.com

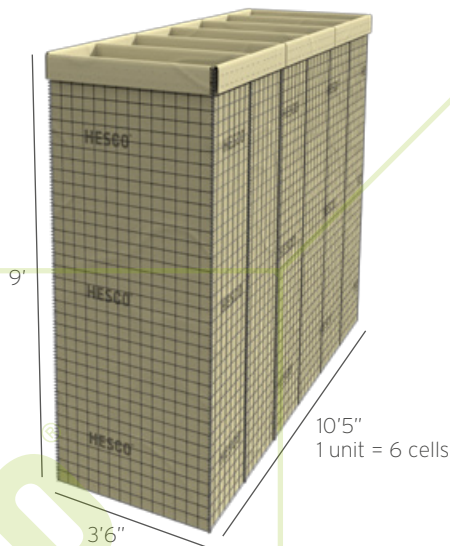
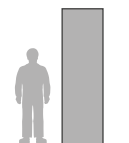
TECHNICAL SPECIFICATIONS

DEFENSIVE BARRIERS

MIL™ 19 UNIT



UNIT	HEIGHT	WIDTH	LENGTH	NSN
MIL19 (Beige)	9' (2.74m)	3'6" (1.06m)	10'5" (3.18m)	5670-99-152-1284
MIL19 (Green)	9' (2.74m)	3'6" (1.06m)	10'5" (3.18m)	5670-99-242-9574



A geotextile-lined unit for general use as an earth-filled barrier. The units are suitable for filling with earth, sand, gravel, crushed rock and other granular materials. The unit fulfills a wide range of uses, including the construction of protective walls and barriers.

GENERAL SPECIFICATIONS

Geotextile-lined welded mesh barrier coated to ASTM A 856. All wires conform to BS EN 10218-2:2012. Zinc-Aluminum coatings are to BS EN 10244-2:2009, where appropriate. The geotextile is a heavy-duty, non-woven, permeable, polypropylene fabric, available in either beige or green color.

All dimensions and weights are nominal. Diagrams and product images are for illustrative purposes only.

PACKAGING AND TRANSPORT INFORMATION

FLAT-PACKED INDIVIDUAL UNIT DIMENSIONS & WEIGHTS

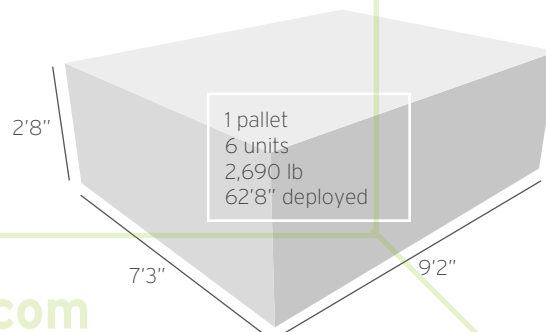
HEIGHT	WIDTH	LENGTH	WEIGHT
4" (0.10m)	7'3" (2.21m)	9' (2.74m)	437 lb (198kg)

PALLET INFORMATION

PER PALLET	HEIGHT	WIDTH	LENGTH	WEIGHT
6 units	2'8" (0.80m)	7'3" (2.21m)	9'2" (2.80m)	2,690 lb (1,220kg)

TRANSPORT INFORMATION

TYPE	PALLETS	UNITS	DEPLOYED LENGTH
13.5 Trailer	12	72	751' (229m)
20' Container	4	24	250'4" (76m)
40' Container	8	48	500'10" (152m)



UK and Rest of World Inquiries

Hesco Bastion Ltd,
Unit 41, Knowsthorpe Way,
Leeds LS9 0SW, United Kingdom
Telephone: +44 113 248 6633

US and Americas Inquiries

Hesco Bastion, Inc., 2821 Azalea Drive,
Charleston, SC 29405, United States
Telephone: +1 843-637-3409

Email: support@hesco.com

Disclaimer

The information contained in this document is intended solely to provide general guidance. The right is reserved to make changes to this document without notice at any time. Nothing in this document (i) constitutes an offer, representation, warranty, term or condition or (ii) is a substitute for the need to employ adequate independent technical expertise and judgment.

Patents and Trademarks

HESCO® products are subject to patents and/or patent applications in territories around the world. HESCO® is a registered trademark of Hesco Bastion Ltd and its affiliates ("Hesco") around the world. Other trademarks also apply.

For full details, please go to:
www.hesco.com/legal_notice

Quality Standards

Hesco operates a quality management system certified to ISO 9001:2008.
Approved Certificate Number: LRO 0910654

This material is subject to copyright protection.
Copyright © 2016 Hesco.
All rights reserved.